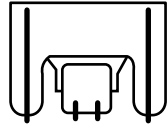


QUICK CLIPS



INCORRECT

SMART CLIPS

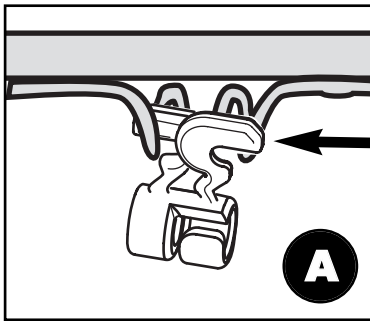
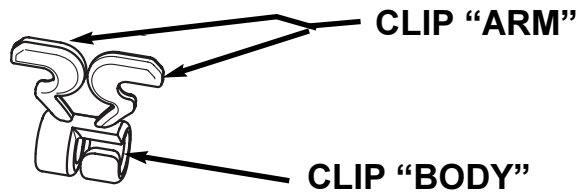


CORRECT

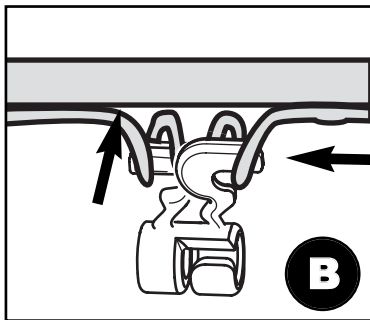
* Discard Quick Clips and use the following instructions to install the new Smart Clips

1. Install net clips.

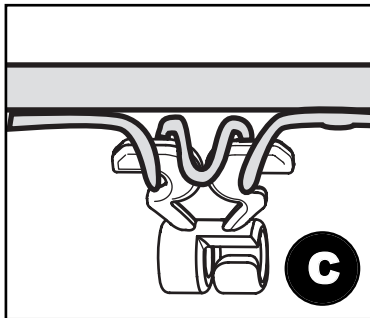
! WARNING: Use of this product without proper installation of net clips, or when all net clips are not present could result in bodily harm. Be sure to follow directions carefully.



Insert one "arm" of clip (19) into ram (18) as shown. Twist "body" of clip slightly so that second "arm" slides over the top of the first "arm" as shown. Push in direction indicated by arrows.



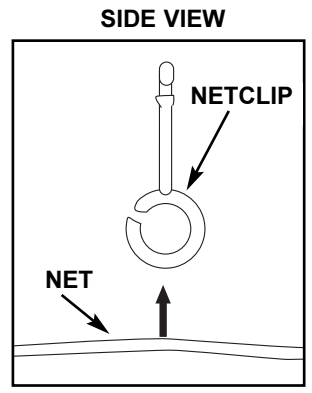
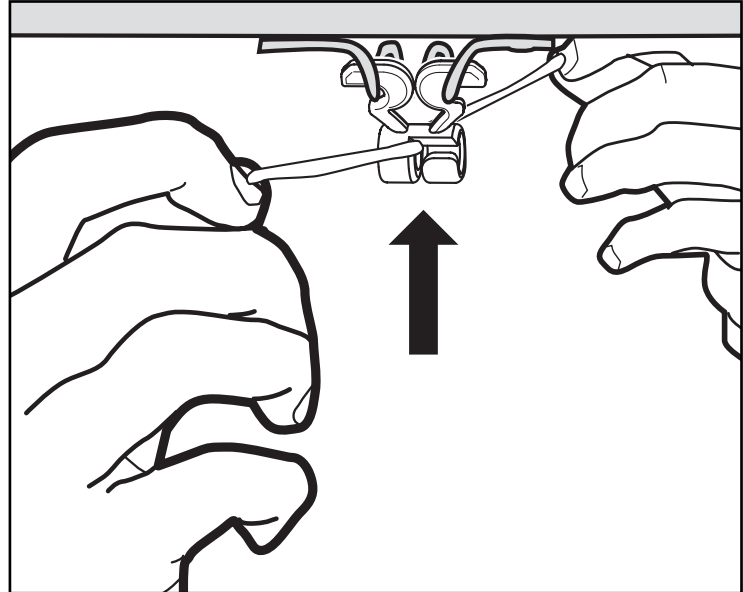
Push second "arm" back and into ram as shown.



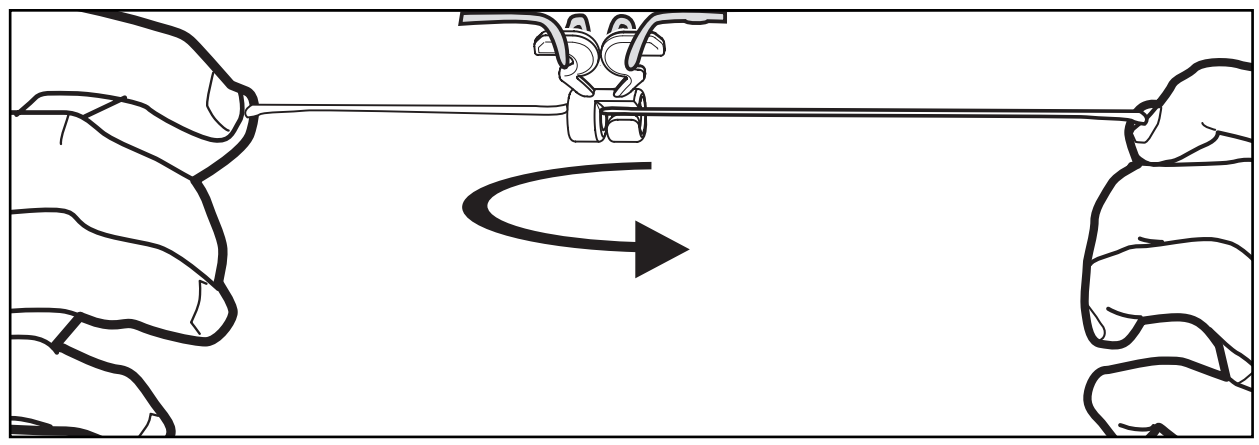
Twist "body" of clip slightly again to spread "arms" of clip. Clip "arms" must be flat and touching edge to edge as shown, not overlapping.

2.

Install net.



Insert net into bottom of clip as shown.



Twist net until it snaps into position.
Net must be centered through clip.

